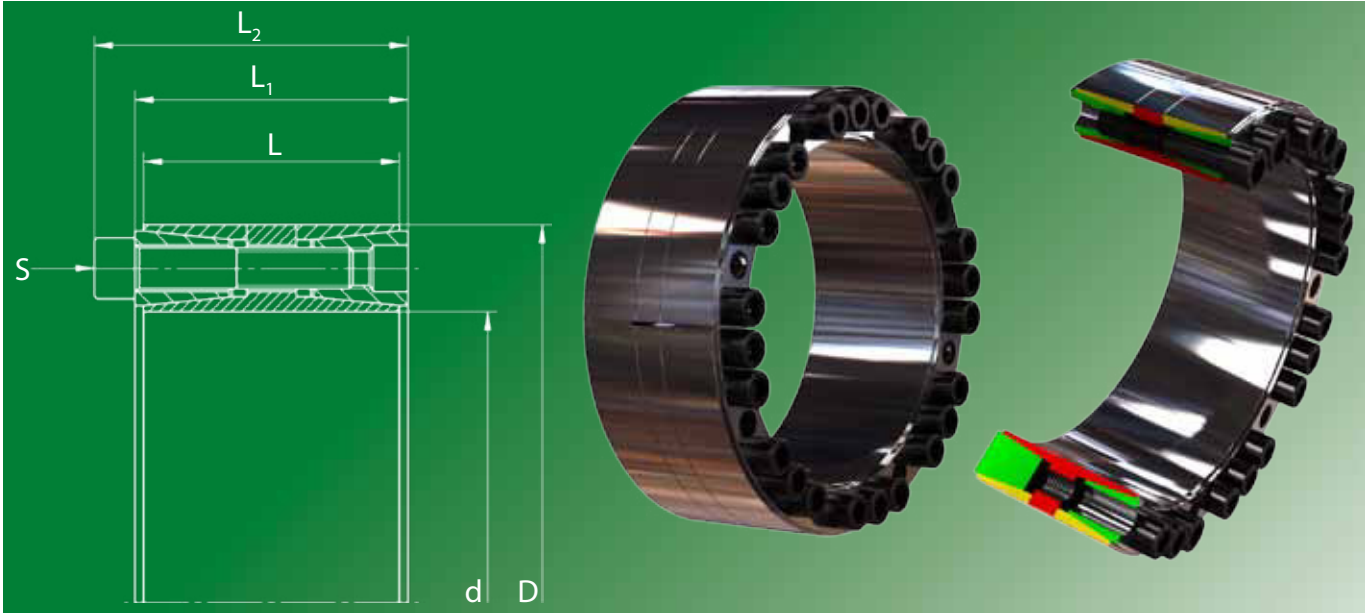
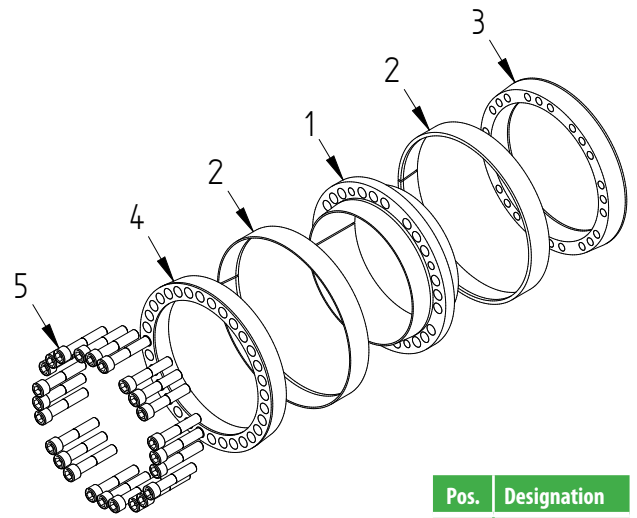


# 3015 DK



## Used symbols

$d$	[mm]	Shaft diameter	
$D$	[mm]	Hub inside diameter	
$M_t$	[Nm]	Max. transmittable torque	$F_{ax} = 0$
$F_{ax}$	[kN]	Max. transmittable axial force	$M_t = 0$
$p_w$	[N/mm <sup>2</sup> ]	Average pressure on the shaft	
$p_n$	[N/mm <sup>2</sup> ]	Average pressure on the hub	
$L$	[mm]	Length of the sleeve	
$L_1$	[mm]	Width of the locking device without screws	
$L_2$	[mm]	Width of the locking device with screws	
$Z$		Number of clamping screws	
$S$		Size of the clamping screws	
$M_A$	[Nm]	Tightening torque of the clamping screws	



Pos.	Designation
1	Sleeve
2	Outer ring
3	Pressure ring 1
4	Pressure ring 2
5	Screw

## Recommended tolerances & surfaces

Shaft	h8 / Rz10
Hub	H8 / Rz10

## Bending loads

Bending moment (share)	$M_B \text{ max} = 0,25 * M_t$
Bending angle	max. 5°

## More properties

- no axial displacement during assembly
- good self-centering
- low self-locking

Ordering information: TAS 3015 DK/d/D (for example: TAS 3015 DK/150/200 ... further sizes on request)

# 3015 DK

<b>d</b> mm	<b>D</b> mm	<b>M<sub>t</sub></b> Nm	<b>F<sub>ax</sub></b> kN	<b>p<sub>w</sub></b> N/mm <sup>2</sup>	<b>p<sub>N</sub></b> N/mm <sup>2</sup>	<b>Z</b> Stk	<b>S</b>	<b>M<sub>A</sub></b> Nm	<b>L</b> mm	<b>L<sub>1</sub></b> mm	<b>L<sub>2</sub></b> mm	<b>Weight</b> kg
100	x 145	15000	300	217	150	10	M12 x 055	145	60	65	77	4,1
110	x 155	16500	300	197	140	10	M12 x 055	145	60	65	77	4,4
120	x 165	21600	360	217	158	12	M12 x 055	145	60	65	77	4,8
130	x 180	29200	450	212	153	15	M12 x 060	145	68	74	86	6,5
140	x 190	37800	540	236	174	18	M12 x 060	145	68	74	86	7,0
150	x 200	40500	540	220	165	18	M12 x 060	145	68	74	86	7,4
160	x 210	48000	600	230	175	20	M12 x 060	145	68	74	86	7,8
170	x 225	61600	725	234	177	18	M14 x 065	230	75	81	95	10,0
180	x 235	65200	725	221	169	18	M14 x 065	230	75	81	95	10,6
190	x 250	76500	805	198	151	20	M14 x 075	230	88	94	108	14,3
200	x 260	96600	966	226	174	24	M14 x 075	230	88	94	108	15,0
220	x 285	109400	995	203	156	18	M16 x 090	355	98	104	120	19,8
240	x 305	159200	1326	248	195	24	M16 x 090	355	98	104	120	21,4
260	x 325	179600	1382	238	191	25	M16 x 090	355	98	104	120	23,0
280	x 355	225200	1608	208	164	24	M18 x 110	485	120	126	144	35,2
300	x 375	251300	1675	202	162	25	M18 x 110	485	120	126	144	37,4
320	x 405	344600	2153	208	164	25	M20 x 120	690	135	142	162	51,3
340	x 425	366100	2153	196	157	25	M20 x 120	690	135	142	162	54,1
360	x 455	483500	2686	198	157	25	M22 x 130	930	158	165	187	75,4
380	x 475	510400	2686	188	150	25	M22 x 130	930	158	165	187	79,0
400	x 495	537200	2686	178	144	25	M22 x 130	930	158	165	187	82,8
420	x 515	676900	3223	204	166	30	M22 x 130	930	158	165	187	86,5
440	x 545	829200	3769	207	167	30	M24 x 150	1200	172	180	204	110
460	x 565	866900	3769	198	161	30	M24 x 150	1200	172	180	204	114
480	x 585	964600	4020	202	166	32	M24 x 150	1200	172	180	204	119
500	x 605	100500	4020	194	160	32	M24 x 150	1200	172	180	204	123
520	x 630	1162900	4473	183	151	30	M27 x 160	1600	190	200	227	148
540	x 650	1207600	4473	176	146	30	M27 x 160	1600	190	200	227	154
560	x 670	1252400	4473	169	142	30	M27 x 160	1600	190	200	227	160
580	x 690	1297100	4473	164	138	30	M27 x 160	1600	190	200	227	165
600	x 710	1431300	4771	169	143	32	M27 x 160	1600	190	200	227	170
620	x 730	1478000	4771	163	139	32	M27 x 160	1600	190	200	227	175
640	x 750	1526000	4771	158	135	32	M27 x 160	1600	190	200	227	180