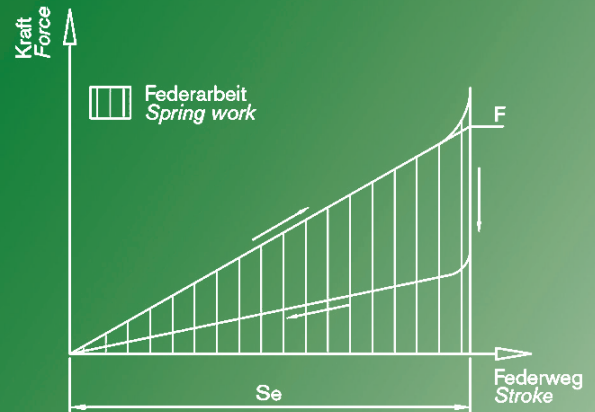
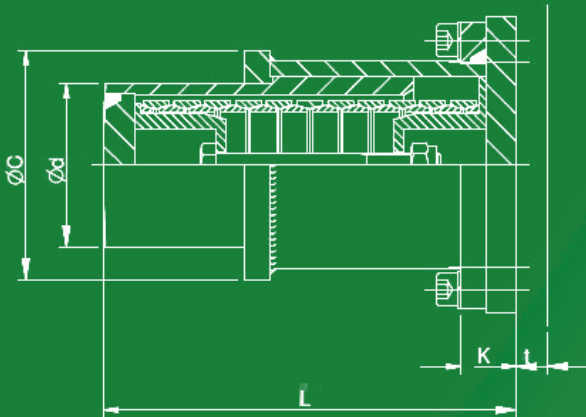
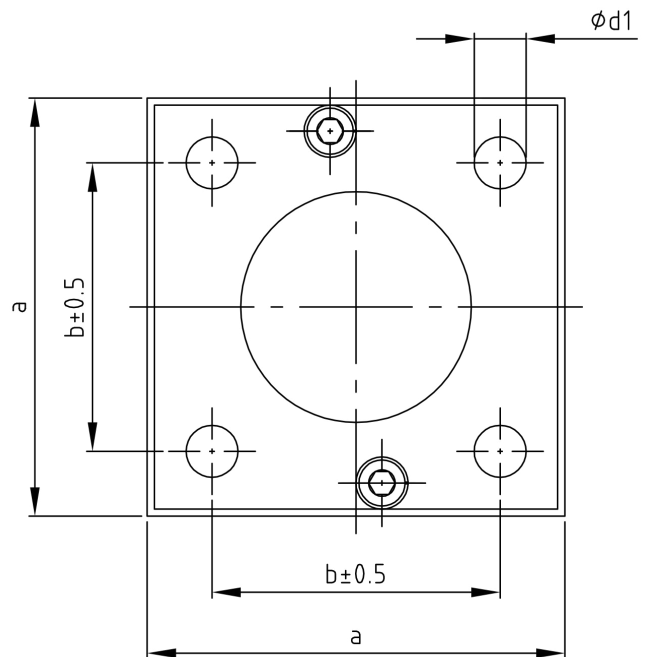


IPA 1



Used symbols

m	[kg]	Weight
F_V	[kN]	Pretensioning force
F	[kN]	Spring force
s	[mm]	Spring travel
W	[J]	Spring work
L	[mm]	Total length
d	[mm]	Plunger diameter
C	[mm]	Case diameter
K	[mm]	Flange thickness
a	[mm]	Flange dimension
b	[mm]	Hole size
d_1	[mm]	Flange boring
t	[mm]	Support wall thickness



Order specification: IPA1-Sz.-Type.Index (z.B.: IPA1-1-06300.xxxx*)

*Sequential number:
includes references to further product data

IPA 1

Sz.	Type	Diagram values				Dimensions of the buffer					Connection dimensions			
		F_V kN	F kN	s mm	W J	L mm	d mm	C mm	K mm	a mm	b mm	d_1 mm	t mm	m kg
1	06300	6	55	27,4	830	202	80	112	27	145	100	18	15	10,5
2		6	55	37,0	1120	262	80	112	27	145	100	18	15	12,5
3		6	55	54,8	1670	374	80	112	27	145	100	18	15	16,7
4		6	55	64,4	1960	434	80	112	27	145	100	18	15	19,2
5		6	55	74,0	2250	494	80	112	27	145	100	18	15	20,2
6	08000	7	84	33,0	1500	230	96	122	27	160	110	18	15	13,4
7		7	84	46,0	2090	306	96	122	27	160	110	18	15	16,5
8		7	84	66,0	3000	428	96	122	27	160	110	18	15	22,5
9		7	84	79,0	3590	505	96	122	27	160	110	18	15	26,2
10		7	84	92,0	4180	582	96	122	27	160	110	18	15	28,0
11	10000	10	125	44,0	2970	300	114	142	31	185	130	23	20	22,2
12		10	125	60,5	4080	397	114	142	31	185	130	23	20	26,0
13		10	125	89,0	6000	571	114	142	31	185	130	23	20	37,1
14		10	125	105,0	7080	667	114	142	31	185	130	23	20	41,8
15		10	125	121,0	8160	763	114	142	31	185	130	23	20	48,1
16	12400	20	200	51,2	5630	365	142	178	34	215	155	23	20	39,0
17		20	200	64,8	7120	454	142	178	34	215	155	23	20	46,0
18		20	200	102,4	11260	696	142	178	34	215	155	23	20	64,0
19		20	200	116,0	12760	784	142	178	34	215	155	23	20	75,0
20		20	200	130,0	14300	872	142	178	34	215	155	23	20	78,0
21	16600	20	360	75,0	14250	500	184	230	47	270	200	27	25	98,0
22		20	360	95,0	18050	630	184	230	47	270	200	27	25	124,0
23		20	360	142,0	26980	880	184	230	47	270	200	27	25	147,0
24		20	360	170,0	32300	1040	184	230	47	270	200	27	25	150,0
25		20	360	190,0	36100	1200	184	230	47	270	200	27	25	175,0